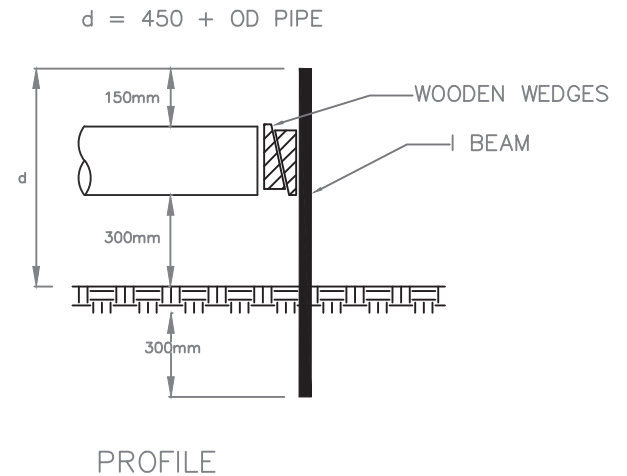
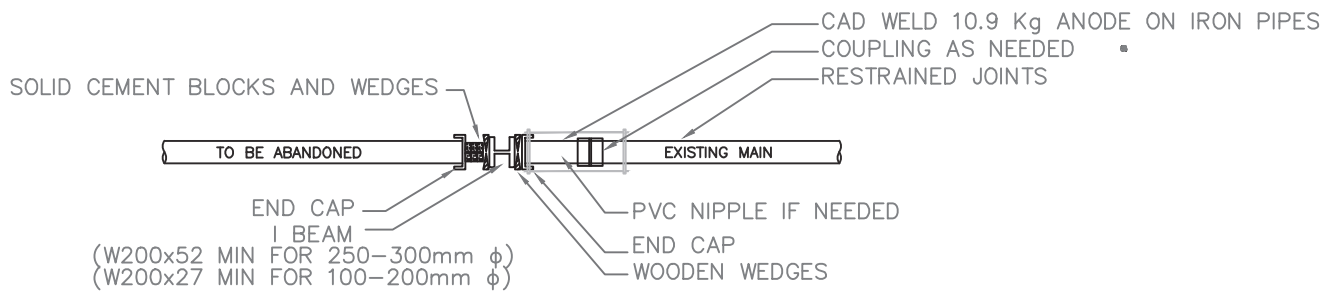
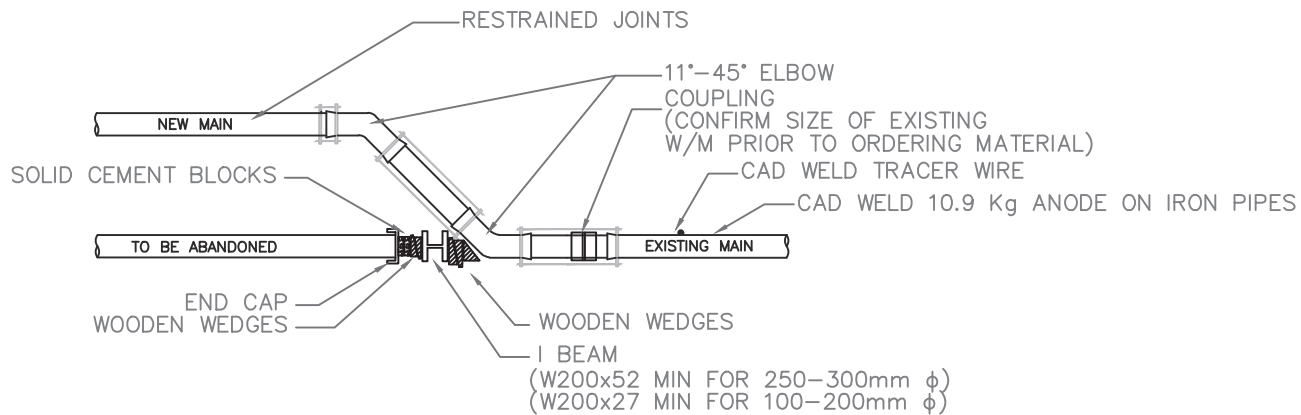


NOTE:

- 1) KEEP FACE OF STEEL AWAY FROM FITTINGS TO AVOID DAMAGE TO FITTINGS DURING INSTALLATION.
- 2) BEAMS TO BE DRIVEN INTO SOLID UNDISTURBED SOIL TO SUFFICIENT DEPTH TO WITHSTAND A PRESSURE OF 100 PSI.
- 3) WHEN TYPE 4 SOILS ARE ENCOUNTERED BEAM SIZE AND LENGTH TO BE DESIGNED BY AN ENGINEER.



No.	Revision Date	No.	Revision Date
		1	MARCH 18, 2020