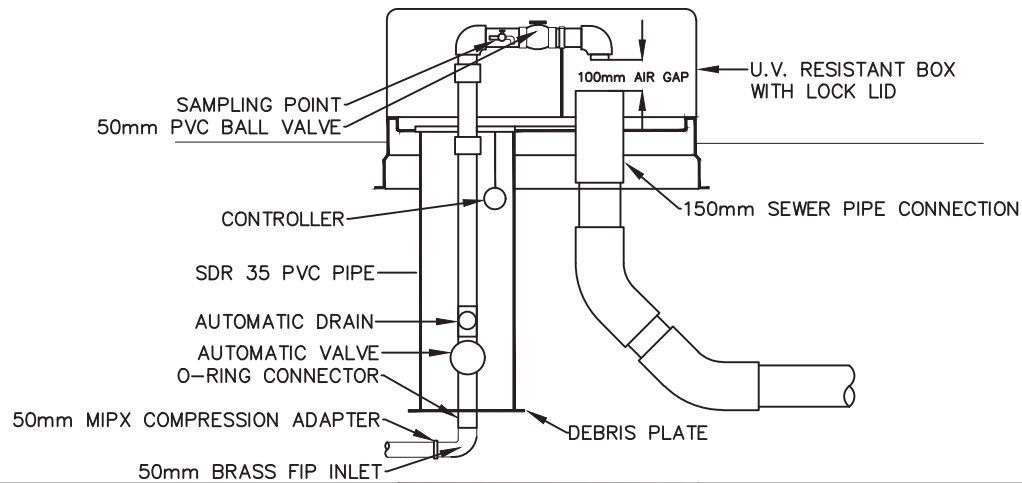
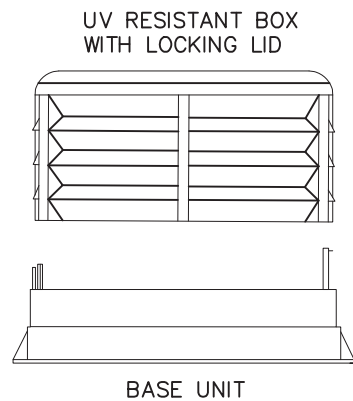


KUPFERLE ECLIPSE #9800 AUTOMATIC FLUSHING DEVICE



WATERMAIN AND WATERMAIN NETWORK SHALL BE DESIGNED SO THAT WATER SHALL NOT REMAIN UNUSED IN THE WATERMAIN FOR MORE THAN 3 DAYS UNDER AVERAGE DAY DEMAND. THE TOWN RESERVES THE RIGHT TO REQUIRE AUTOMATIC FLUSHING TO FACILITATE THE MAINTENANCE OF THE CHLORINE RESIDUAL IF NO OTHER OPTIONS ARE AVAILABLE. WATER METER PITS ARE TO BE IN ACCORDANCE WITH STANDARD DRAWING: L-WD-10.



No.	Revision Date	No.	Revision Date
		1	MARCH 18, 2020