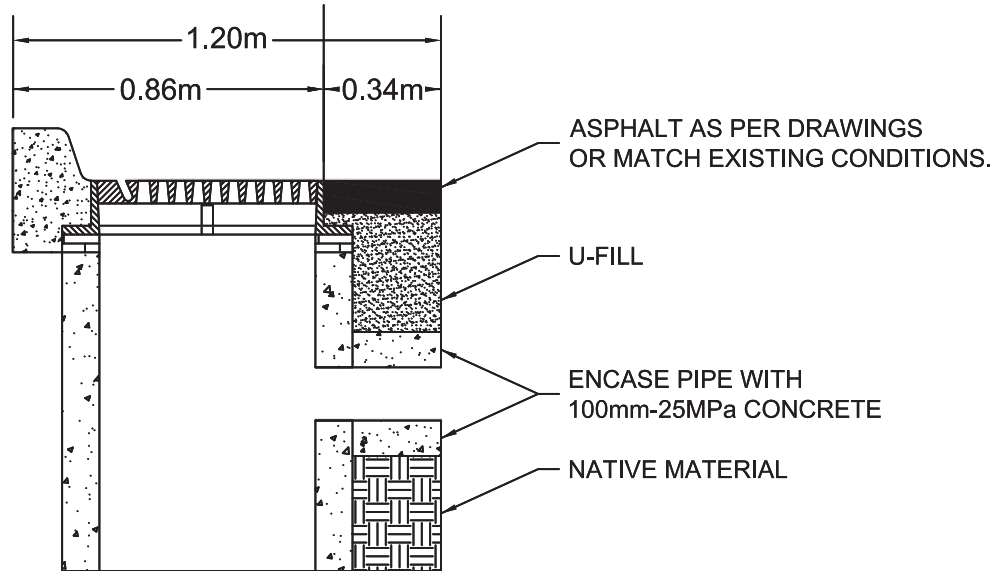


1. ALL CONSTRUCTION JOINTS SHALL BE FILLED WITH FIBRE BOARD OR HOT-POURED RUBBERIZED ASPHALT JOIN SEALING COMPOUND AND JOINT FILLER.

## PLAN



1. ADJUSTMENT UNITS: MINIMUM OF ONE, MAXIMUM OF THREE, TYP.
2. SQUARE ADJUSTMENT UNITS ARE AVAILABLE IN SIZES OF 50, 75, 100 AND 300mm.
3. FIRST ADJUSTMENT UNIT TO BE SET IN FULL MORTAR BED, TYP.
4. ADJUSTMENT UNITS MUST BE ENCASED IN CONCRETE FROM BOX OUT.
5. DENSO WRAP TO BE USED ON FRAME AND COVER AND CATCH BASIN STRUCTURE.

## SECTION



No.	Revision Date	No.	Revision Date
		1	December 17, 2021