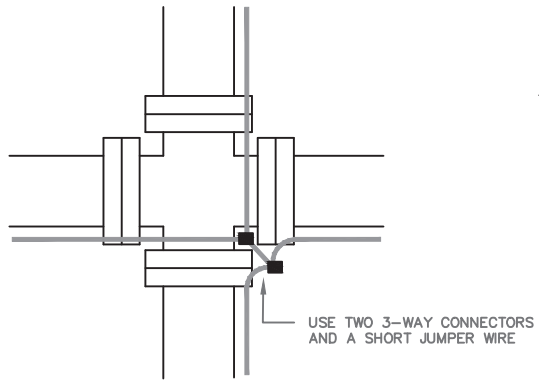
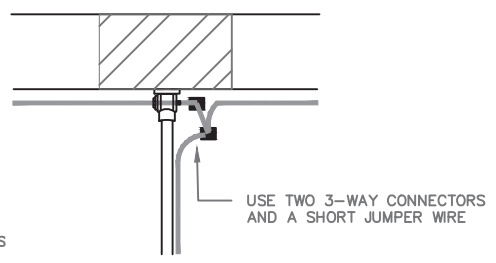


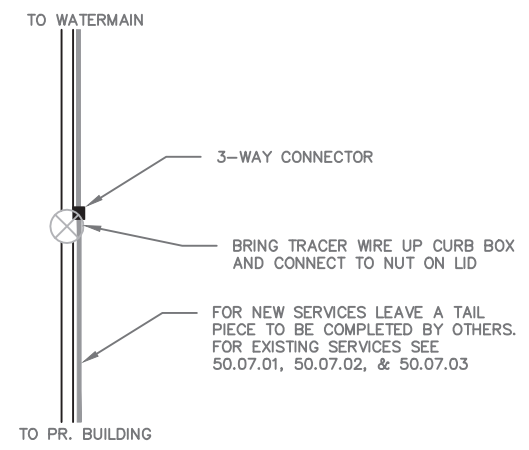
- NOTE:
1. SPLICE WIRE ONLY WHERE NECESSARY, AT CROSSES TEES, HYDRANT LEADS, AND SERVICES.
 2. DRIVE IN 1lb. MAGNESIUM GROUNDING ANODE AT ALL STARTING LOCATIONS WHERE EXISTING WATERMAIN AND NEW WATERMAINS MEET AND HYDRANTS.
 3. WIRE SHOWN AWAY FROM PIPE FOR CLARITY.
 4. END LATERAL TRACER WIRE AT ACCESS BOX ATTACHED TO HYDRANT. DO NOT GROUND TO HYDRANT.
 5. LEAVE SLACK AFTER EACH LOCKING CONNECTOR LIKE A LOOSE KNOT SO WIRE DOES NOT PULL OUT DURING INSTALLATION.
 6. TRACER WIRE SYSTEM TO BE TESTED TO ENSURE CONTINUITY.
 7. TRACER WIRE TO CONNECT TO NUT ON CURB STOPS.



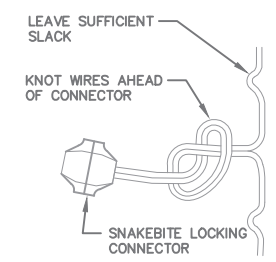
DETAIL 'A'



DETAIL 'B'



DETAIL 'C'



DETAIL 'D'



No.	Revision Date	No.	Revision Date
		1	MARCH 18, 2020